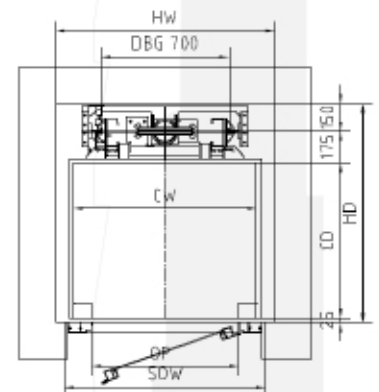
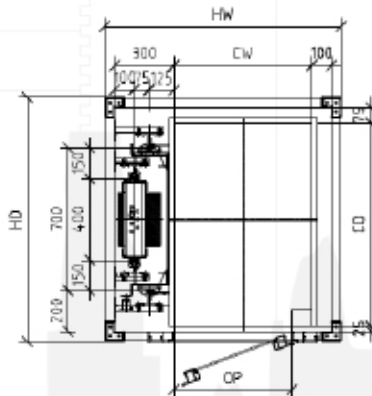
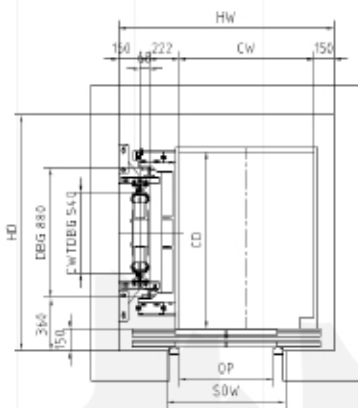
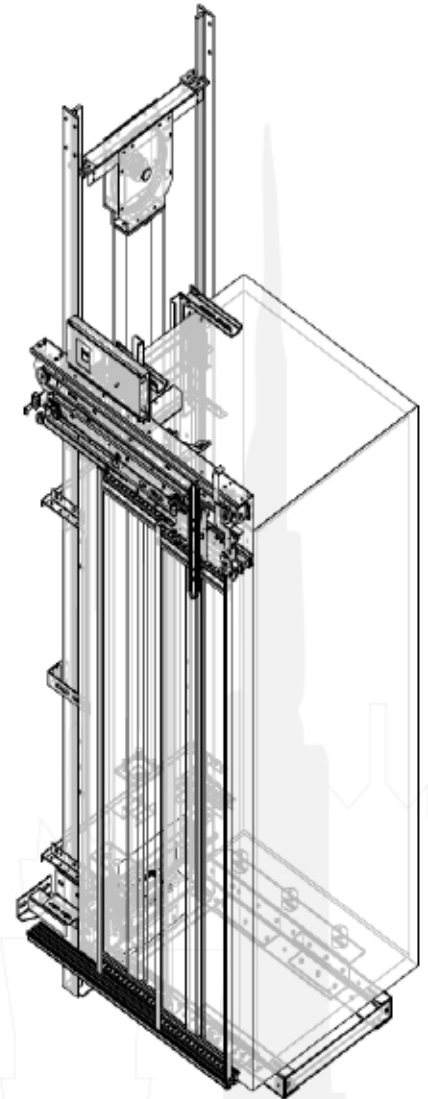
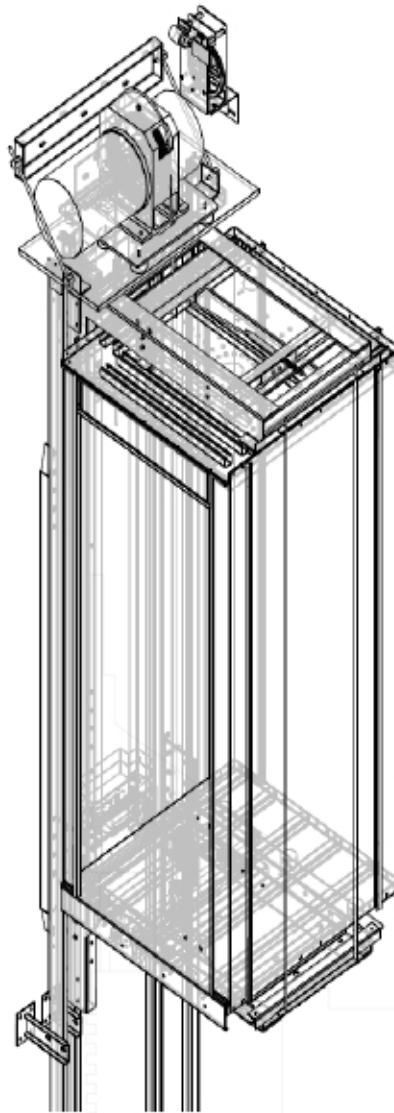
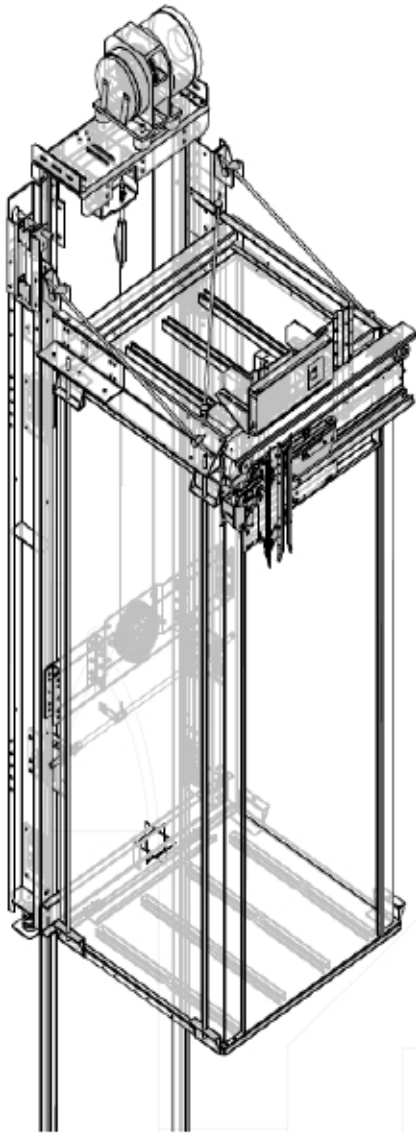




HOME (VILLA) ELEVATOR



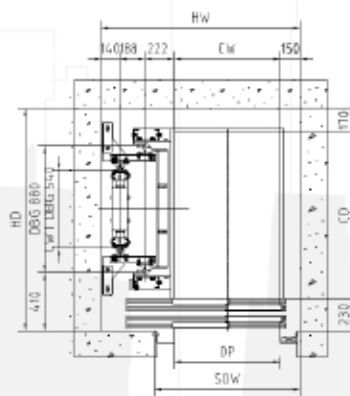
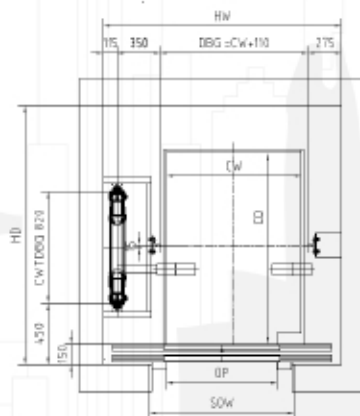
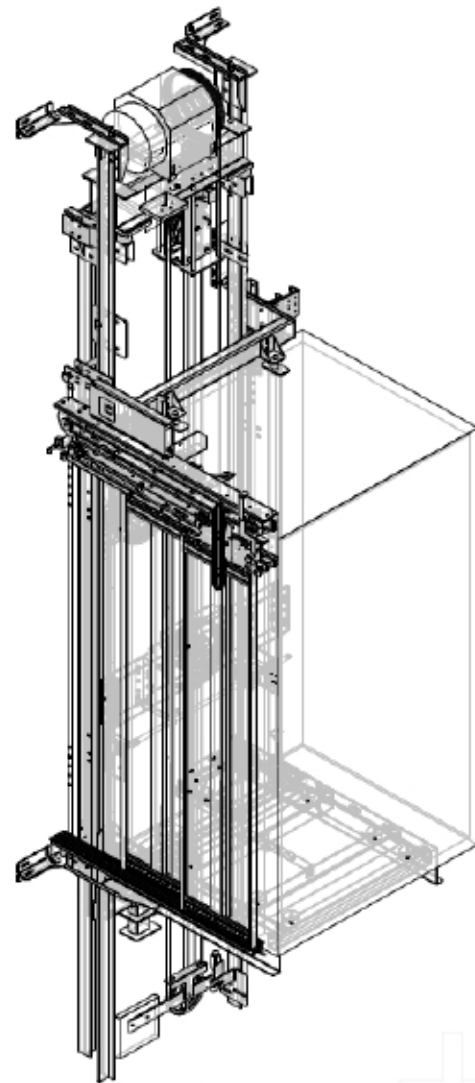
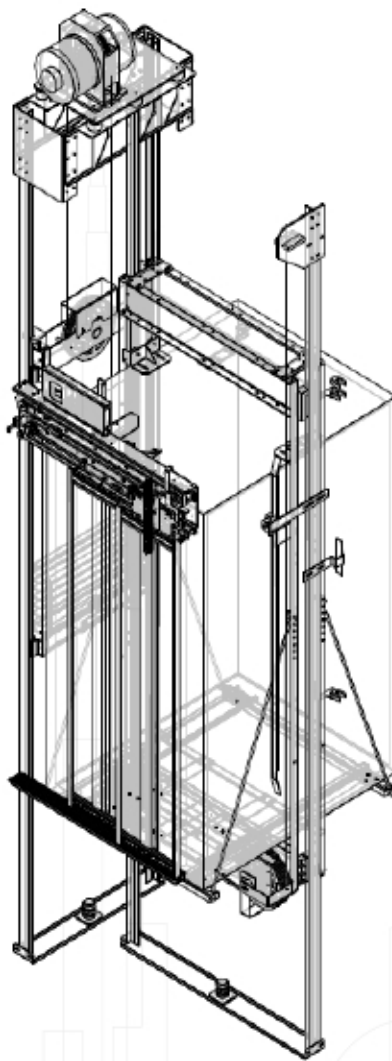
TYPE	GHT-LA
LOAD (MAX)	450KG
SPEED (MAX)	0.5m/s
OVERHEAD (MIN)	2600mm
PIT (MIN)	100mm
DOOR NO. (MAX)	3

TYPE	GHT-LB
LOAD (MAX)	450KG
SPEED (MAX)	0.5m/s
OVERHEAD (MIN)	3100mm
PIT (MIN)	600mm
DOOR NO. (MAX)	3

TYPE	GHT-H
LOAD (MAX)	450KG
SPEED (MAX)	0.3m/s
OVERHEAD (MIN)	2600mm
PIT (MIN)	150mm
DOOR NO. (MAX)	3



HOME (VILLA) ELEVATOR

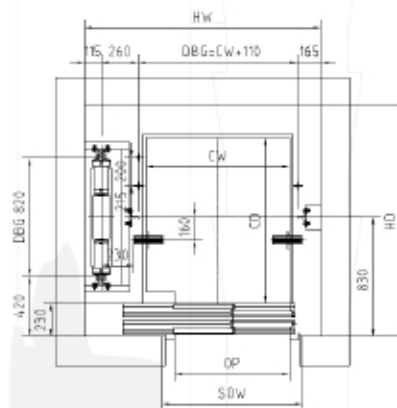
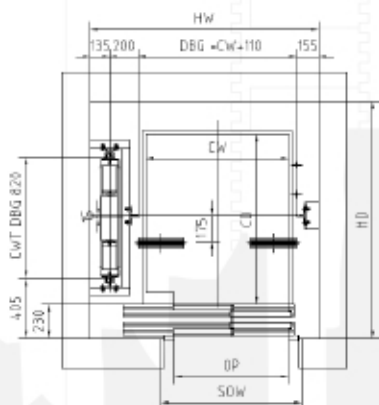
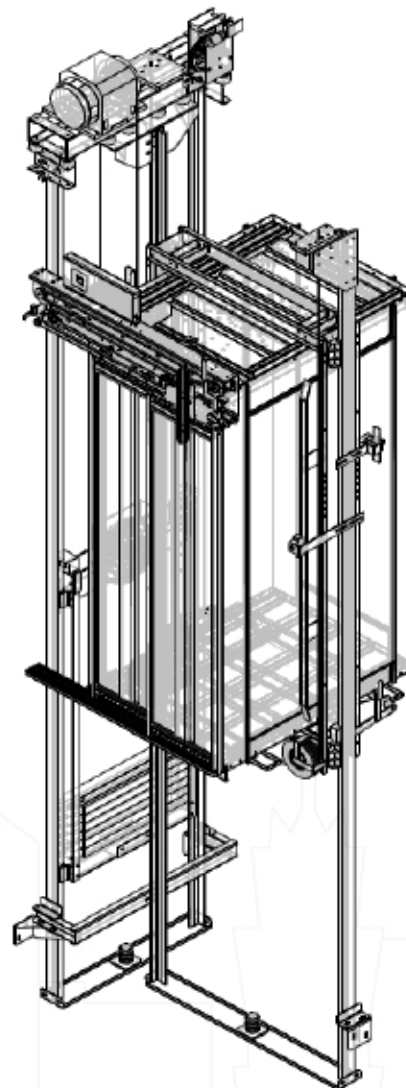
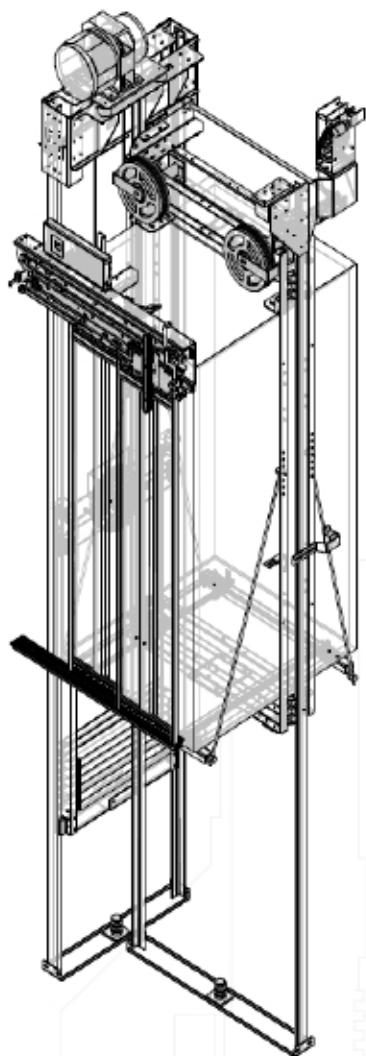


TYPE	GHT-CA
LOAD (MAX)	630KG
SPEED (MAX)	1.0m/s
OVERHEAD (MIN)	3500mm
PIT (MIN)	800mm
DOOR NO. (MAX)	2

TYPE	GHT-L
LOAD (MAX)	630KG
SPEED (MAX)	1.0m/s
OVERHEAD (MIN)	3000mm
PIT (MIN)	800mm
DOOR NO. (MAX)	3



HOME (VILLA) ELEVATOR



TYPE	GHT-C1
LOAD (MAX)	450KG
SPEED (MAX)	0.5m/s
OVERHEAD (MIN)	3500mm
PIT (MIN)	300mm
DOOR NO. (MAX)	2

TYPE	GHT-C2
LOAD (MAX)	450KG
SPEED (MAX)	1.0m/s
OVERHEAD (MIN)	2600mm
PIT (MIN)	400mm
DOOR NO. (MAX)	2